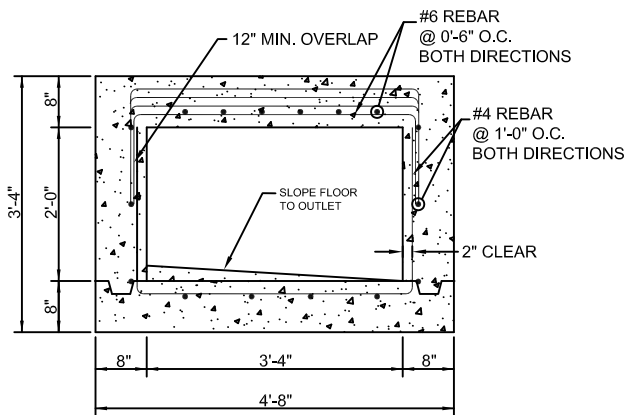


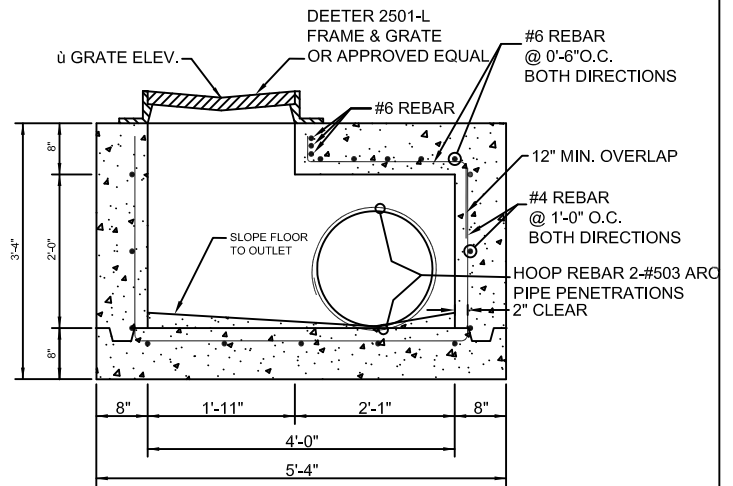
GENERAL NOTES:

1. CONCRETE SHALL BE CLASS B.
2. CAST-IN-PLACE CONCRETE WALLS SHALL BE FORMED ON BOTH SIDES.
3. STEPS SHALL BE PROVIDED WHEN INLET DIMENSION "H" EXCEEDS 3'-6" AND SHALL BE IN ACCORDANCE WITH AASHTO M 199.
4. ALL INLETS SHALL BE CONSTRUCTED ON GRADE PER DESIGN PROFILE.



SECTION A-A
NOT TO SCALE

WR VALLEY INLET (SPECIAL)



SECTION B-B
NOT TO SCALE

WR VALLEY INLET (SPECIAL)