

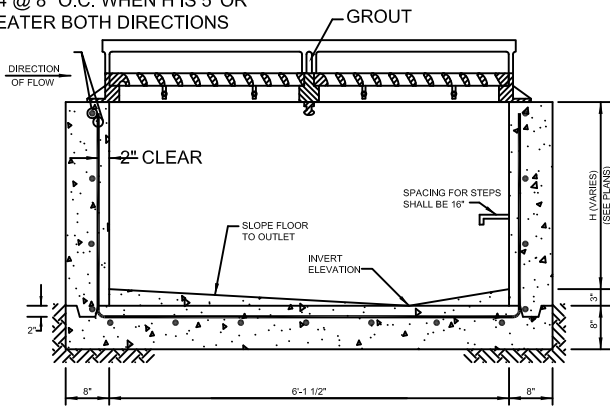
**GENERAL NOTES:**

1. CONCRETE SHALL BE CLASS B.
2. CAST-IN-PLACE CONCRETE WALLS SHALL BE FORMED ON BOTH SIDES.
3. STEPS SHALL BE PROVIDED WHEN INLET DIMENSION "H" EXCEEDS 3'-6" AND SHALL BE IN ACCORDANCE WITH AASHTO M 199.
4. ALL INLETS SHALL BE CONSTRUCTED ON GRADE PER DESIGN PROFILE.

STATION/OFFSET LOCATION  
 INVERTED 60# RAIL BETWEEN FRAMES  
 CITY OF WHEAT RIDGE STANDARD CURB INLET FRAME, TYPE "V" GRATE & CURB BOX. GRATE SHALL BE NEENAH FOUNDARY R-3067V OR DEETER FOUNDARY 2047. (OR APPROVED EQUAL)

**WR CURB INLET (DOUBLE)**

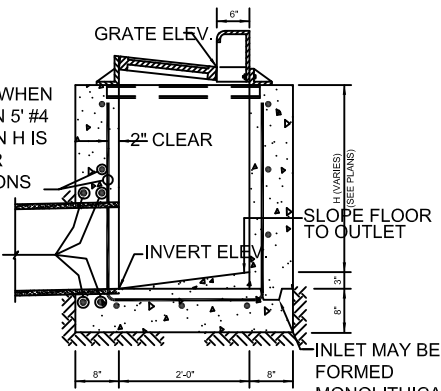
#4 @ 1'-0" O.C. WHEN H IS LESS THAN 5'  
 #4 @ 8" O.C. WHEN H IS 5' OR GREATER BOTH DIRECTIONS



**SECTION A-A**  
 NOT TO SCALE  
**WR CURB INLET (DOUBLE)**

#4 @ 1'-0" O.C. WHEN H IS LESS THAN 5'  
 #4 @ 8" O.C. WHEN H IS 5' OR GREATER BOTH DIRECTIONS

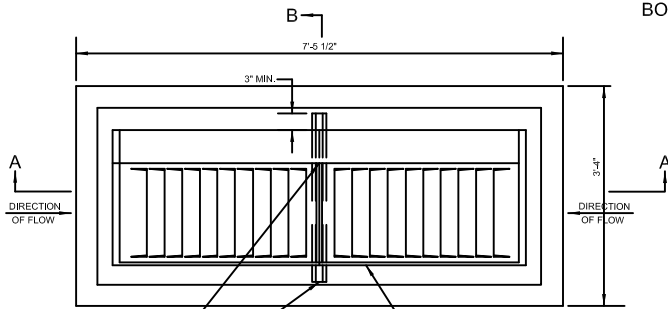
HOOP REBAR 2- #503 AROUND PIPE PENETRATIONS



**SECTION B-B**  
 NOT TO SCALE  
**WR CURB INLET (DOUBLE)**

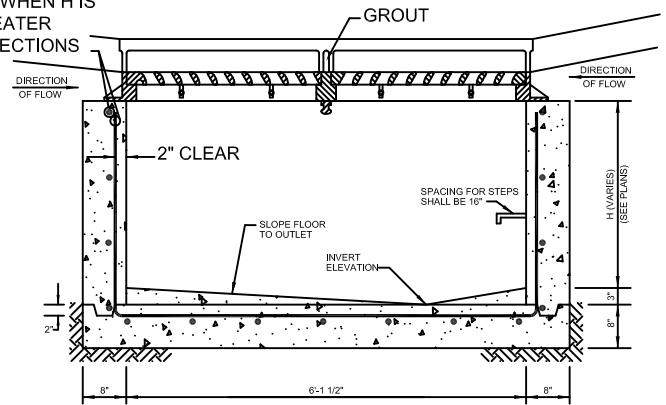
INLET MAY BE FORMED MONOLITHICALLY IF H IS LESS THAN 5'.

#4 @ 1'-0" O.C. WHEN H IS LESS THAN 5'  
 #4 @ 8" O.C. WHEN H IS 5' OR GREATER BOTH DIRECTIONS



STATION/OFFSET LOCATION  
 INVERTED 60# RAIL BETWEEN FRAMES  
 CITY OF WHEAT RIDGE STANDARD CURB INLET FRAME, TYPE "V" GRATE & CURB BOX. GRATE SHALL BE NEENAH FOUNDARY R-3067V OR DEETER FOUNDARY 2047. (OR APPROVED EQUAL)

**WR CURB INLET (DOUBLE) MID BLOCK**



**SECTION A-A**  
 NOT TO SCALE  
**WR CURB INLET (DOUBLE) MID BLOCK**



DEPARTMENT OF PUBLIC WORKS  
 ENGINEERING DIVISION

**U-C02 2CURB.INLET**

**WR CURB INLET (DOUBLE)**

DETAIL CODE

**U**

APPROVED BY: SN APPROVE DATE 10/2016