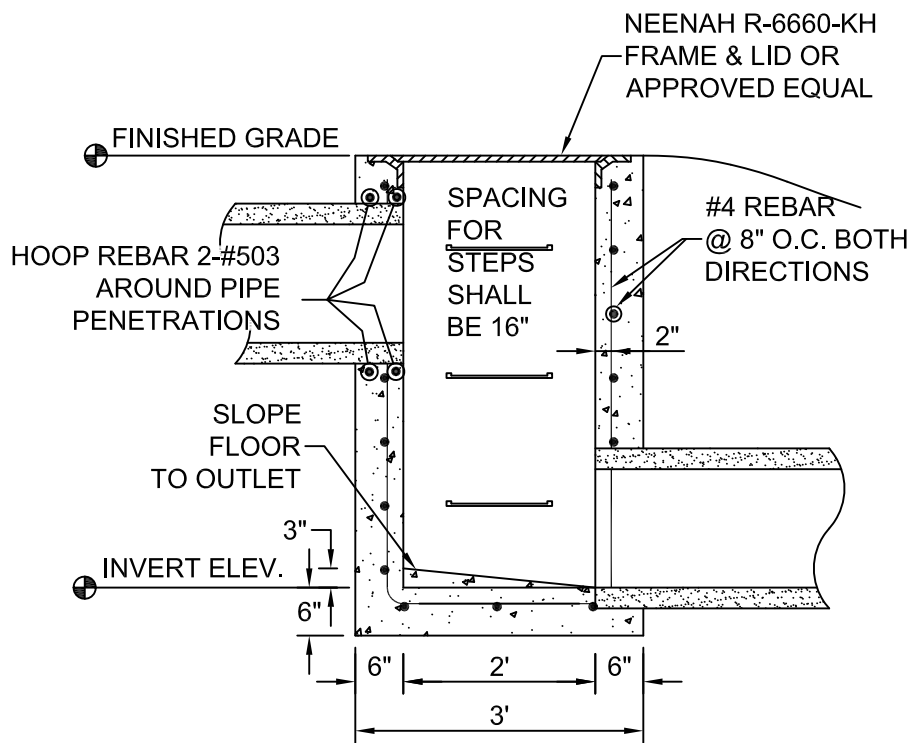


PLAN VIEW



SECTION A-A

DROP STRUCTURE