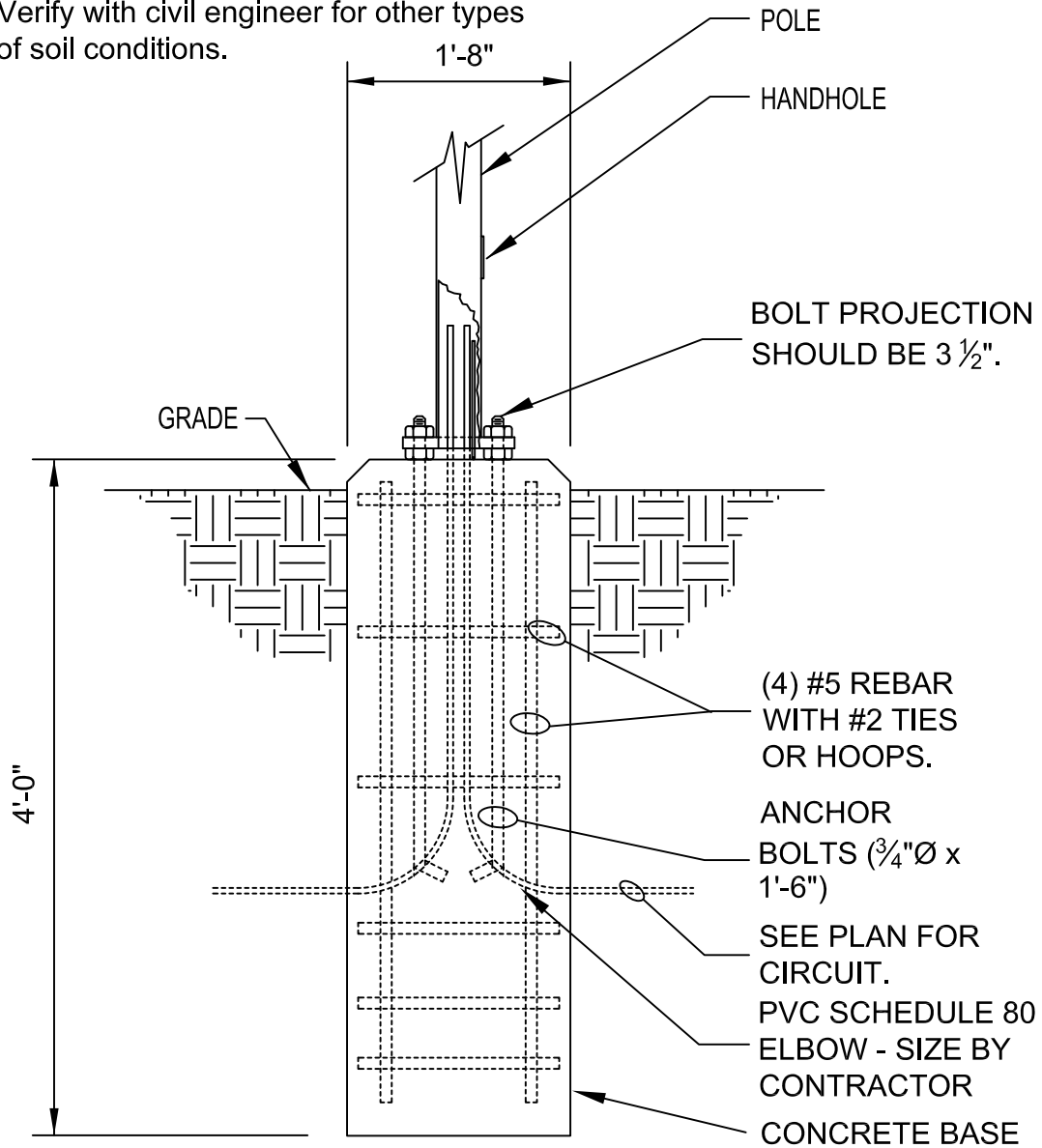


Note:

1. Anchor bolts have to be centered on the concrete foundation.
2. This is for standard soil conditions. Verify with civil engineer for other types of soil conditions.



PEDESTRIAN LIGHTING POLE FOUNDATION